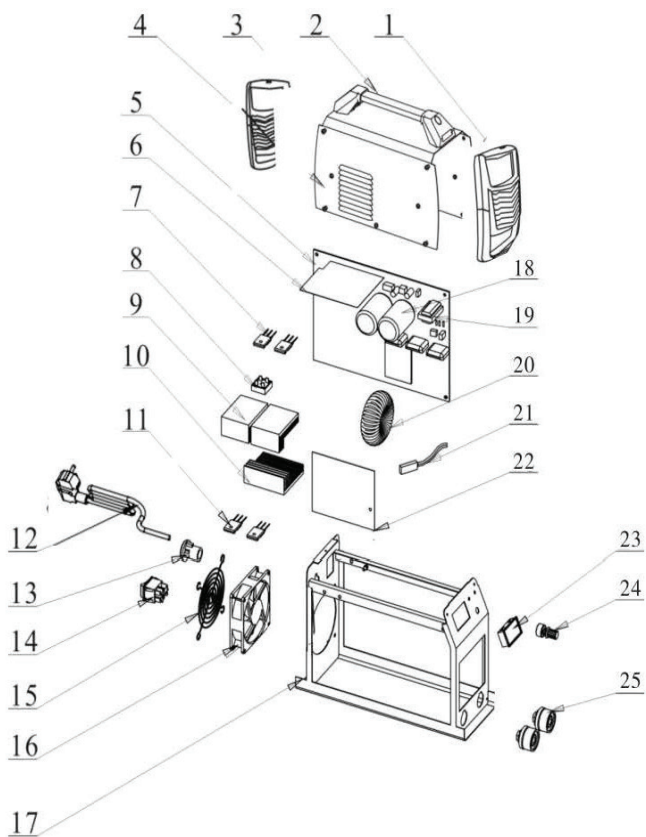


Exploded drawing of Inverter Welding Machine RD-IW220



SPARE PART LIST

NO.	Components	Note
1	Plastic Cover A	Protecting the machine
2	Handle	Carrying the machine
3	Plastic Cover B	Protecting the machine
4	Cover	Protecting the machine
5	PC Board A	Protecting the machine
6	PC Board B	Protecting the machine
7	IGBT	Inverter ,switch DC to AC
8	Relay	Snubber Circuit
9	Cooling Plate A	Decreasing the temperature of IGBT
10	Cooling Plate B	Decreasing the temperature of rectifier bridge
11	Diode	Switch AC to DC
12	Power Cable	Supply power
13	Connector	Connecting the electricity
14	Switch	ON/OFF

NO.	Components	Note
15	Fan Cover	Protecting the fan
16	Fan	Cooling the machine
17	Machine Frame	Hold the electric board
18	Capacity	Filtering
19	Transformer A	Assisting electric power
20	Transformer B	Transfer AC to DC
21	Heat Protector	Stop the current when the machine getting too hot
22	Insulating trip	Insulating
23	Digital Display	Showing current during welding
24	Potentiometer	Adjusting the current
25	Quick Connector	Connecting the output cables